

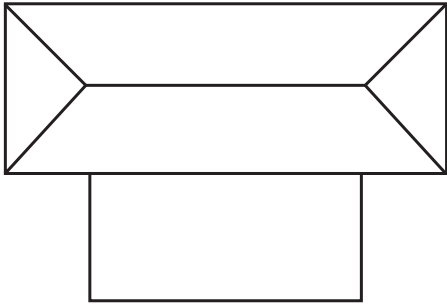
Nothing's too hard at Softwoods

Softwoods Planning Sheet

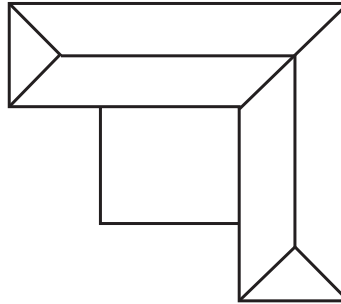
Rectangular Deck

Your Structure (Circle one)

Parallel Attached



Corner Attached



Freestanding

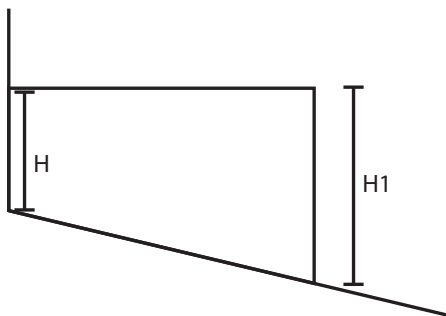


Structure Details



W = Width

L = Length



H = Height at House

H1 = Height at Edge

Additional Information

Decking Type Clear Pine Kapur Merbau Aust Hardwood

Soil Type Clay Sand

Stairs Yes No

Balustrade Yes No Steel Cable Timber

Handrail Yes No

Wall Type Brick Other

Note: We will contact you for specifics once your query is submitted.